



White House Products Ltd

Issue 5 - Section 22 Hydraulic Motor Reduction Units

To return to this page, please click on the red text in the top corner of each page.



 International **+44 1475 742500**  UK **0800 130 3103**
 **sales@whp.co.uk**  Fax **+44 1475 742888**

White House Products Ltd, Kelburn Business Park, Port Glasgow, Renfrewshire, PA14 6TD, Great Britain

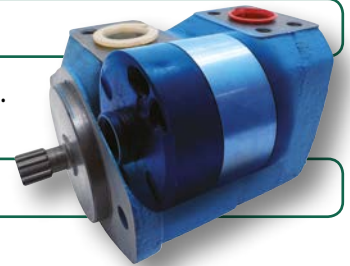
Welcome to the White House Products Ltd Catalogue

Our promise to you...

- That over 90% of orders are delivered from stock!
- That all UK back orders are delivered FOC.
- That all stocked UK single pump and motor orders not requiring modification ordered before 4pm will be dispatched the SAME DAY.
- That any part supplied by us in error and unused by you will be collected by our courier from you and credited in full - inclusive of any carriage and packing costs - on its return.
- That any part ordered in error by you and returned to us as new will be credited in full against the correct replacement supplied by us.
- That we shall try our very best at all times to provide you with what you want.
- That if we don't have a particular pump or motor in stock we will offer to manufacture a replacement where this is possible.

Ex-Stock Availability

All items shown in this catalogue are stock items and therefore normally available for immediate despatch.



Enquiries, Pricing & Ordering

☎ **Telephone**
 UK **0800 130 3103**
 International **+44 1475 742500**

📠 **Fax - +44 1475 742888**

✉ **e-mail - sales@whp.co.uk**

✉ **Postal Address**
 White House Products Ltd
 Kelburn Business Park, Port Glasgow,
 Renfrewshire, PA14 6TD, Great Britain

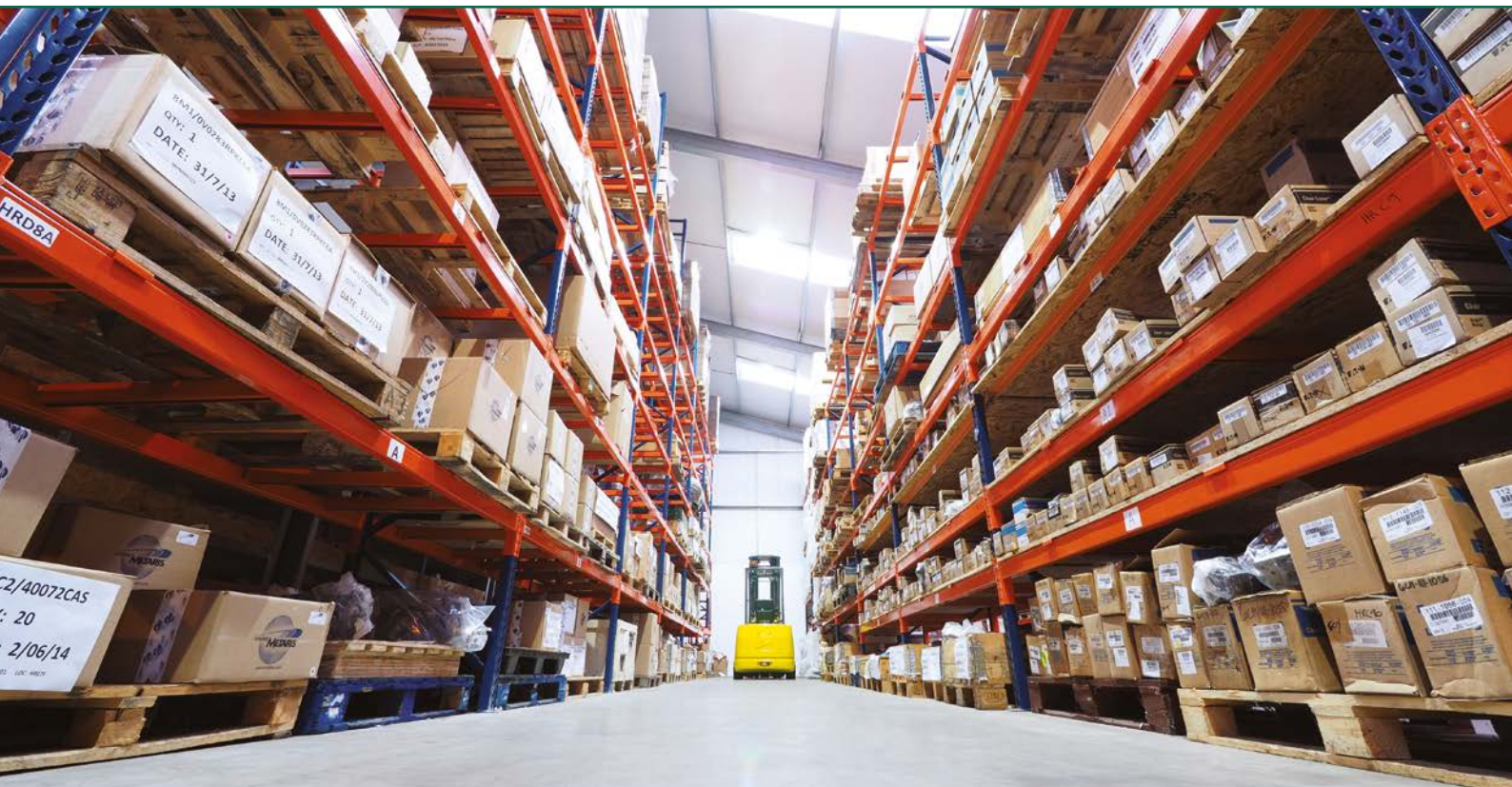
🌐 **Prices and secure online ordering at**
www.whp.co.uk

To obtain prices from our website you need to have a username and password. If you don't have these, please register by going to www.whp.co.uk and clicking on *Register*. You will get a username and password by return.

Internet ordering can be done using a credit account, if this has already been set up, or by credit card. To provide total security to our credit card customers, payments are transacted using Sage Pay's secure server.



Hydraulic Motor Reduction Units



By whatever means you use, we look forward to hearing from you!

Hydraulic Motor Reduction Units



For prices, please register online or contact us by phone, fax or email.

Incorporating our high torque hydraulic motors, WVM, WWM and MTS, these compact 5:1 planetary gearboxes further extend the range of applications for hydrostatic drives. These units are built to operate under the most arduous conditions for long periods with the minimum of maintenance. They have been successfully employed in the Industrial, Mobile, Agricultural, Mining and Marine fields.

Ordering Code

Use this chart to compile your ordering code - e.g. **WMMG T5 400** (Gearbox with WMTS motor, 400 cc/rev)



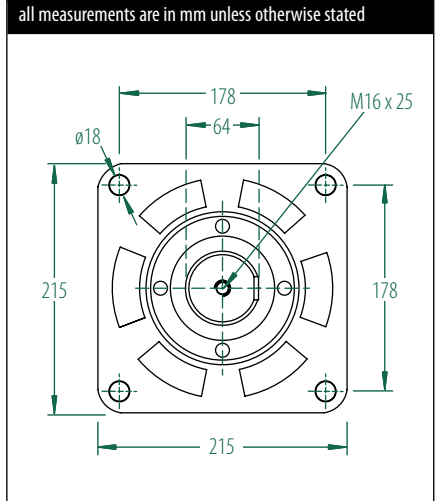
** Motor	
5V	with WVM Motor
5W	with WWM Motor
T5	with WMTS Motor

\$\$\$ Capacity					
	WVM	WWM	T5		
50	49.2 cc/rev	50	51.6 cc/rev	130	137 cc/rev
75	73.8 cc/rev	75	80.3 cc/rev	160	161 cc/rev
100	101.6 cc/rev	100	97.5 cc/rev	200	201 cc/rev
150	168.8 cc/rev	150	160.7 cc/rev	250	250 cc/rev
200	195 cc/rev	200	200.9 cc/rev	300	330 cc/rev
300	293.3 cc/rev	300	298.9 cc/rev	400	411 cc/rev
400	390 cc/rev	400	397.5 cc/rev	500	524 cc/rev

WMMGT5 Motor - Specifications

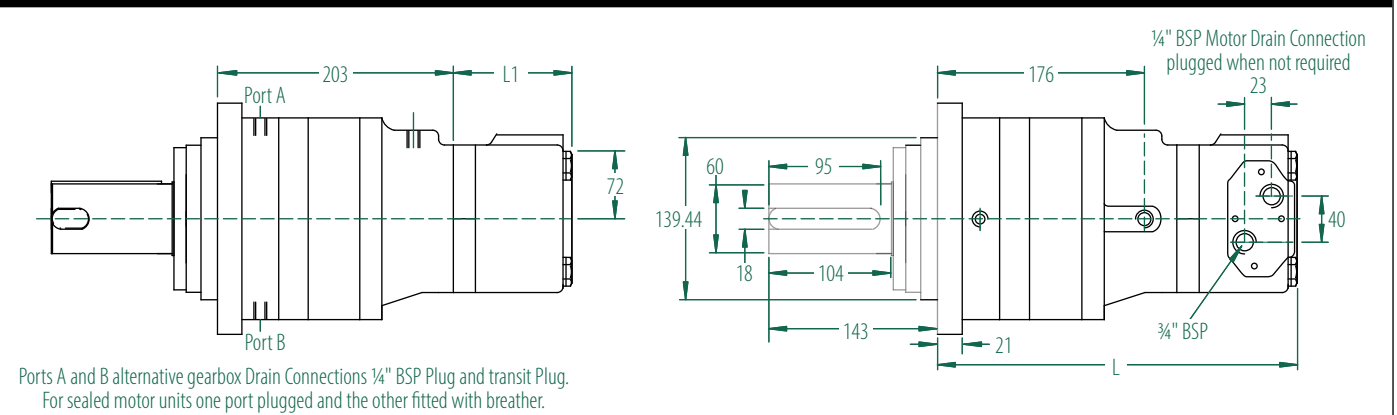
WMTS Motor Model		130	160	200	250	300	400	500
Displacement	cc/rev	137	161	201	250	330	411	524
	in ³ /rev	8.4	9.8	12.3	15.2	20.2	25.1	32.0
Max Speed - Continuous	rpm	135	135	135	100	76	61	48
Max Speed - Intermittent	rpm	156	156	150	120	92	73	57
Max Pressure Drop - Continuous	bar	175	175	175	175	175	150	140
Max Pressure Drop - Intermittent	bar	210	210	210	210	210	175	175
Max Torque - Continuous	Nm	1550	2000	2550	3100	4100	4200	4200
Max Torque - Intermittent	Nm	1900	2350	3050	3800	5050	5050	5050
Max Power - Continuous	kW	18.25	25	30	30	32	30	25
Approx. Weight	kg	50	50	51	51	52	53	54
Dimension 'L'	mm	297	300	305	311	321	331	345
Dimension 'L1'	mm	94	97	102	108	118	128	142

WMMGT5 Motor - Mounting Flange



WMMGT5 Motor - Side View

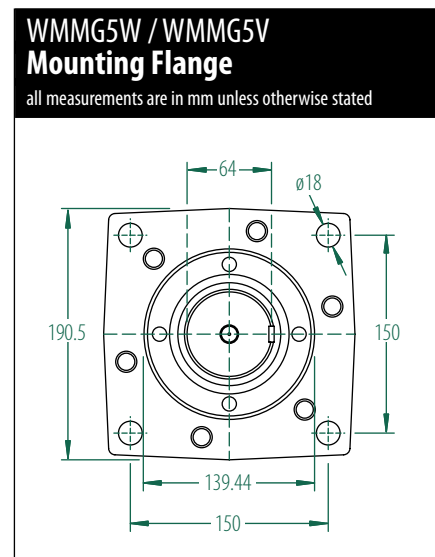
all measurements are in millimetres (mm) unless otherwise stated



Hydraulic Motor Reduction Units

Hydraulic Motor Reduction Units

WMMG5W Motor - Specifications								
WWM Motor Model		50	75	100	150	200	300	400
Displacement	cc/rev	51.6	80.3	97.5	160.7	200.9	298.9	397.5
	in ³ /rev	3.15	4.9	5.95	9.81	12.26	18.27	24.25
Max Speed - Continuous	rpm	160	160	130	80	60	40	30
Max Speed - Intermittent	rpm	200	200	160	100	80	50	30
Max Pressure Drop - Continuous	bar	140	140	140	140	125	85	70
Max Pressure Drop - Intermittent	bar	175	175	175	175	175	125	85
Max Torque - Continuous	Nm	500	775	900	1550	1550	1650	1600
Max Torque - Intermittent	Nm	625	1000	1225	1950	2225	2750	1800
Max Power - Continuous	kW	7	12.5	13	10.5	10	5	4
Approx. Weight	kg	32.7	33.1	33.4	33.8	34.3	35.2	36.2
Dimension 'LW'	mm	315.4	320.4	323.4	334.4	341.4	358.4	373.2
	inches	12.42	12.61	12.73	13.16	13.44	14.11	14.69



WMMG5V Motor - Specifications								
WVM Motor Model		50	75	100	150	200	300	400
Displacement	cc/rev	49.2	73.8	101.6	168.8	195	293.3	390
	in ³ /rev	3.0	4.5	6.2	10.3	11.9	17.9	23.8
Max Speed - Continuous	rpm	160	150	120	80	60	40	26
Max Speed - Intermittent	rpm	200	190	150	100	80	50	30
Max Pressure Drop - Continuous	bar	100	100	100	100	100	70	55
Max Pressure Drop - Intermittent	bar	140	140	140	140	140	100	85
Max Torque - Continuous	Nm	300	500	675	1150	1250	1300	1350
Max Torque - Intermittent	Nm	400	675	900	1525	1700	2050	2050
Max Power - Continuous	kW	10	10	11	10	10	5	4
Approx. Weight	kg	32.4	32.5	32.6	32.8	33.1	33.5	33.8
Dimension 'LV'	mm	311.2	314.4	318.1	326.8	330.3	343.0	355.7
	inches	12.25	12.38	12.52	12.87	13.00	13.50	14.00

